



C&S Switch Range also includes:



www.cselectric.co.in

Safety Switches In Plastic Enclosure

10A ~ 100A
3 & 4 Pole

C&S Electric Ltd.

Corporate Office : 222, Okhla Industrial Estate, New Delhi - 110 020
Tel. : +91-11-3088 7520 - 29, Fax: +91-11-2684 7154, 2682 9063

International Business Division: Tel. : +91-11-4161 3503, 3088 7520-29, Fax: +91-11-2683 8291, 2684 7342
email : exports@cselectric.co.in

Central Marketing Office: Tel. : +91-11-3088 7520-29, Fax: +91-11-2684 8241, 2684 7342
email : cmo@cselectric.co.in, info@cselectric.co.in



We touch your electricity everyday!

Safe and Reliable

Load Isolation Switch (CSSDP) and Changeover Switch (CSCSP) are designed and manufactured according to the international standard IEC/EN 60947. These are available in 3 Pole and 4 Pole configurations, both in open execution and with enclosure. These are suitable for AC 23 utilization category and compact enough to occupy very little space yet provide installation convenience. The switches have stood the test of adverse environments in all types of climate in various countries. Multiple accessories to suit application requirements also enhance the flexibility of operation. The protection degree of all enclosed switches is IP65.

Multi Combination and Protective Shrouds

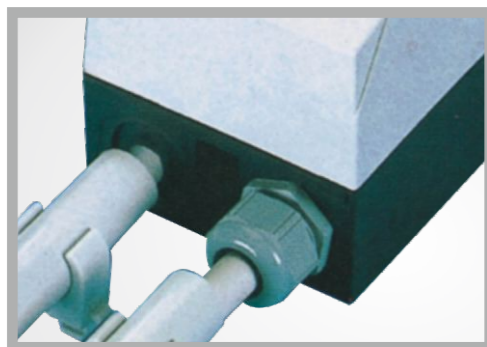
Load Isolation Switch (CSSDP) and Changeover Switch (CSCSP) provide many standard contact combinations with flexible applications. Their mounting flexibility offers numerous matchless benefits for use in Power Distribution Boards or standalone applications. C&S always consider safety and reliability as the first parameter while product designing. The connection terminals of these switches are finger touch proof.

The most Economical Solution

Complete range is highly user friendly. Load Isolation Switch (CSSDP) and Changeover Switch (CSCSP) are designed according to power capability in order to provide suitable and most economical solutions for different projects. Usage of PCB, Freon, Asbestos and Silicon Resin are totally abstained in these switches. The contact material excludes cadmium making the switches fully eco friendly and meet all the requirements of environmental protection.

First choice of Machinery / Equipment Manufacturers

Because of being quite safe and reliable the Load Isolation Switch (CSSDP) and Changeover Switch (CSCSP) are widely used for industrial machinery equipments. These have been used successfully in most of the industries making them the best choice of all discerning users. For safety there is provision for 3 pad locks in 'O' position.

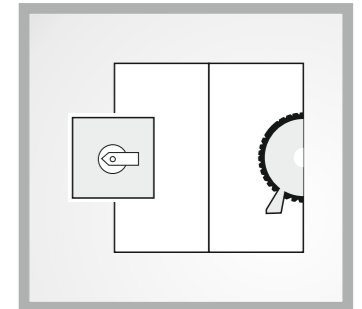


After assembling enclosure, the wiring can be terminated with penetration mount technology rapidly and economically.



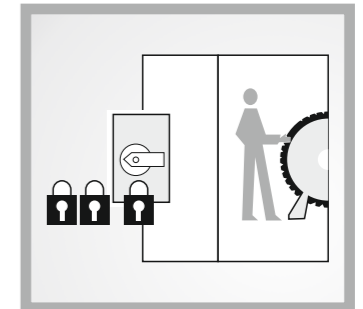
ON-OFF Switch

Load Isolation Switch (CSSDP) and Changeover Switch (CSCSP) can be used for lighting equipments, heating equipments and for motor application. In addition, these can also switch motor (AC-3) directly. These switches have established their ingenuity in breaking the stalled motor current in the event of emergency.



Maintenance Switch

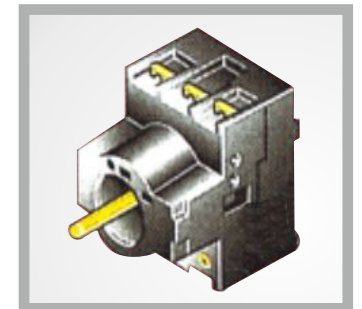
Load Isolation Switch (CSSDP) and Changeover Switch (CSCSP) can be used as maintenance switch or main switch with enclosure connecting various kinds of loads. Several pad locks can be provided in the open position. In order to ensure human safety, the open position will always be clear and cannot automatically reset.



Changeover Switch

By means of manual operation, Changeover Switch (CSCSP) performs circuit switching and is mainly used as a switching device of two independent circuits - I & II. It provides three stable positions.

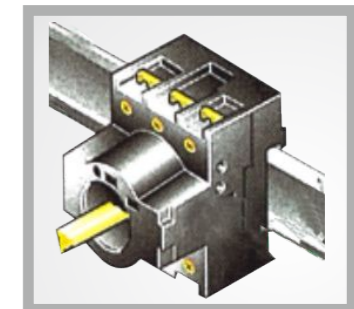
Position	Operation
0	Load is open circuited
1	Load is connected to normal supply
2	Load is connected to the second source of supply



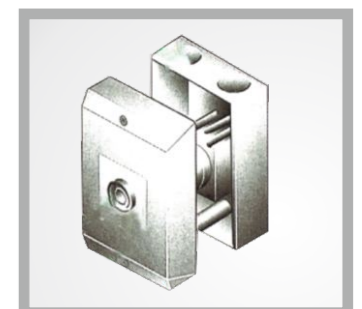
Parallel & Level installation

Type of Installation

- ▬ Parallel and level installation
- ▬ Rear / Din Rail installation
- ▬ Surface installation



Rear / Din Rail Installation



Surface Installation

IEC/EN 60947



Enclosed Switch (with Load Isolation CSSDP type)

Open Execution Switch (with Load Isolation CSSDP type)

Enclosed ON-OFF Switches with IP65 Protection - CSSDPR 10 ~ 100A (Surface Installation)



10, 16, 20A



20, 25, 32A



32, 40, 50, 63A



63, 80, 100A

Circuit Diagram	Rated continuous current Iu A (AC21)	Reference	Pole no. of maincontact	Aux. contact	Rated power of 3 ph. motor 50~60Hz
					KW at 415V (AC23A)

Main switch without auxiliary contact

	10	ELPCSSDPR10D3	3	- -	3.0
	16	ELPCSSDPR16D3	3	- -	4.0
	20	ELPCSSDPR20DM3	3	- -	5.5
	20	ELPCSSDPR20D3	3	- -	5.5
	25	ELPCSSDPR25D3	3	- -	7.5
	32	ELPCSSDPR32DM3	3	- -	11.0
	32	ELPCSSDPR32D3	3	- -	11.0
	40/50	ELPCSSDPR40/50D3	3	- -	15.0
	63	ELPCSSDPR63DM3	3	- -	22.0
	63	ELPCSSDPR63D3	3	- -	22.0
	80	ELPCSSDPR80D3	3	- -	30.0
	100	ELPCSSDPR100D3	3	- -	37.0
		10	ELPCSSDPR10D4	4	- -
16		ELPCSSDPR16D4	4	- -	4.0
20		ELPCSSDPR20DM4	4	- -	5.5
20		ELPCSSDPR20D4	4	- -	5.5
25		ELPCSSDPR25D4	4	- -	7.5
32		ELPCSSDPR32DM4	4	- -	11.0
32		ELPCSSDPR32D4	4	- -	11.0
40/50		ELPCSSDPR40/50D4	4	- -	15.0
63		ELPCSSDPR63DM4	4	- -	22.0
63		ELPCSSDPR63D4	4	- -	22.0
80		ELPCSSDPR80D4	4	- -	30.0
100		ELPCSSDPR100D4	4	- -	37.0

Note: 'DM' indicates compact frame size

Main switch with auxiliary contact

	10	ELPCSSDPR10D3CSB	3	1 1	3.0
	16	ELPCSSDPR16D3CSB	3	1 1	4.0
	20	ELPCSSDPR20D3CSB	3	1 1	5.5
	25	ELPCSSDPR25D3CSB	3	1 1	7.5
	32	ELPCSSDPR32D3CSB	3	1 1	11.0
	40/50	ELPCSSDPR40/50D3CSB	3	1 1	15.0
	63	ELPCSSDPR63D3CSB	3	1 1	22.0
	80	ELPCSSDPR80D3CSB	3	1 1	30.0
	100	ELPCSSDPR100D3CSB	3	1 1	37.0
	32	ELPCSSDPR32D3NCSB	3+N	1 1	11.0
	40	ELPCSSDPR40D3NCSB	3+N	1 1	15.0
	50/63	ELPCSSDPR50/63D3NCSB	3+N	1 1	22.0
	80	ELPCSSDPR80D3NCSB	3+N	1 1	30.0
100	ELPCSSDPR100D3NCSB	3+N	1 1	37.0	

Note: 'N' denotes Neutral Pole and 'CSB' denotes Auxiliary Contact Block.

ON-OFF Switches - CSSDP 10 ~ 100A (Parallel and Level Installation)



10, 16, 20A



20, 25, 32A



32, 40, 50, 63A



63, 80, 100A

Circuit Diagram	Rated continuous current Iu A (AC21)	Reference	Pole no. of maincontact	Aux. contact	Rated power of 3 ph. motor 50~60Hz
					KW at 415V (AC23A)

Main switch without auxiliary contact

	10	CSSDP10D3	3	- -	3.0
	16	CSSDP16D3	3	- -	4.0
	20	CSSDP20DM3	3	- -	5.5
	20	CSSDP20D3	3	- -	5.5
	25	CSSDP25D3	3	- -	7.5
	32	CSSDP32DM3	3	- -	11.0
	32	CSSDP32D3	3	- -	11.0
	40/50	CSSDP40/50D3	3	- -	15.0
	63	CSSDP63DM3	3	- -	22.0
	63	CSSDP63D3	3	- -	22.0
	80	CSSDP80D3	3	- -	30.0
	100	CSSDP100D3	3	- -	37.0
		10	CSSDP10D4	4	- -
16		CSSDP16D4	4	- -	4.0
20		CSSDP20DM4	4	- -	5.5
20		CSSDP20D4	4	- -	5.5
25		CSSDP25D4	4	- -	7.5
32		CSSDP32DM4	4	- -	11.0
32		CSSDP32D4	4	- -	11.0
40/50		CSSDP40/50D4	4	- -	15.0
63		CSSDP63DM4	4	- -	22.0
63		CSSDP63D4	4	- -	22.0
80		CSSDP80D4	4	- -	30.0
100		CSSDP100D4	4	- -	37.0

Note: 'DM' indicates compact frame size

Main switch with auxiliary contact

	10	CSSDP10D3CSB	3	1 1	3.0
	16	CSSDP16D3CSB	3	1 1	4.0
	20	CSSDP20D3CSB	3	1 1	5.5
	25	CSSDP25D3CSB	3	1 1	7.5
	32	CSSDP32D3CSB	3	1 1	11.0
	40/50	CSSDP40/50D3CSB	3	1 1	15.0
	63	CSSDP63D3CSB	3	1 1	22.0
	80	CSSDP80D3CSB	3	1 1	30.0
	100	CSSDP100D3CSB	3	1 1	37.0
	32	CSSDP32D3NCSB	3+N	1 1	11.0
	40	CSSDP40D3NCSB	3+N	1 1	15.0
	50/63	CSSDP50/63D3NCSB	3+N	1 1	22.0
	80	CSSDP80D3NCSB	3+N	1 1	30.0
100	CSSDP100D3NCSB	3+N	1 1	37.0	

Note: 'N' denotes Neutral Pole and 'CSB' denotes Auxiliary Contact Module.

Open Execution Switch (with Load Isolation CSSDP type)

Changeover Switches (CSCSP type)

ON-OFF Switches - CSSDPR 10 ~ 100A (Rear / Din Rail Installation)



10, 16, 20A



20, 25, 32A



32, 40, 50, 63A



63, 80, 100A

Circuit Diagram	Rated continuous current Iu A (AC21)	Reference	Pole no. of maincontact	Aux. contact	Rated power of 3 ph. motor 50-60Hz
					KW at 415V (AC23A)
Main switch without auxiliary contact					
	10	CSSDPR10D3	3	- -	3.0
	16	CSSDPR16D3	3	- -	4.0
	20	CSSDPR20DM3	3	- -	5.5
	20	CSSDPR20D3	3	- -	5.5
	25	CSSDPR25D3	3	- -	7.5
	32	CSSDPR32DM3	3	- -	11.0
	32	CSSDPR32D3	3	- -	11.0
	40/50	CSSDPR40/50D3	3	- -	15.0
	63	CSSDPR63DM3	3	- -	22.0
	63	CSSDPR63D3	3	- -	22.0
	80	CSSDPR80D3	3	- -	30.0
	100	CSSDPR100D3	3	- -	37.0
	10	CSSDPR10D4	4	- -	3.0
	16	CSSDPR16D4	4	- -	4.0
	20	CSSDPR20DM4	4	- -	5.5
	20	CSSDPR20D4	4	- -	5.5
	25	CSSDPR25D4	4	- -	7.5
	32	CSSDPR32DM4	4	- -	11.0
	32	CSSDPR32D4	4	- -	11.0
	40/50	CSSDPR40/50D4	4	- -	15.0
	63	CSSDPR63DM4	4	- -	22.0
	63	CSSDPR63D4	4	- -	22.0
	80	CSSDPR80D4	4	- -	30.0
	100	CSSDPR100D4	4	- -	37.0

Note: 'DM' indicates compact frame size

Main switch with auxiliary contact

	10	CSSDPR10D3CSB	3	1 1	3.0
	16	CSSDPR16D3CSB	3	1 1	4.0
	20	CSSDPR20D3CSB	3	1 1	5.5
	25	CSSDPR25D3CSB	3	1 1	7.5
	32	CSSDPR32D3CSB	3	1 1	11.0
	40/50	CSSDPR40/50D3CSB	3	1 1	15.0
	63	CSSDPR63D3CSB	3	1 1	22.0
	80	CSSDPR80D3CSB	3	1 1	30.0
	100	CSSDPR100D3CSB	3	1 1	37.0
		32	CSSDPR32D3NCSB	3+N	1 1
40		CSSDPR40D3NCSB	3+N	1 1	15.0
50/63		CSSDPR50/63D3NCSB	3+N	1 1	22.0
80		CSSDPR80D3NCSB	3+N	1 1	30.0
100		CSSDPR100D3NCSB	3+N	1 1	37.0

Note: 'N' denotes Neutral Pole and 'CSB' denotes Auxiliary Contact Module.

Enclosed Changeover Switches with IP65 Protection - CSCSPR 10 ~ 100A (Surface Installation)



10, 16, 20A



20, 32, 40A



63, 80, 100A

Circuit Diagram	Rated continuous current Iu A (AC21)	Reference	Pole no. of maincontact	Rated power of 3 ph. motor 50-60Hz
				KW at 415V (AC23A)
Main switch without auxiliary contact				
	10	ELPCSCSPR10D3	3	3.0
	16	ELPCSCSPR16D3	3	4.0
	20	ELPCSCSPR20DM3	3	5.5
	20	ELPCSCSPR20D3	3	5.5
	32	ELPCSCSPR32D3	3	11.0
	40/50	ELPCSCSPR40/50D3	3	15.0
	63	ELPCSCSPR63D3	3	22.0
	80	ELPCSCSPR80D3	3	30.0
	100	ELPCSCSPR100D3	3	37.0
		10	ELPCSCSPR10D4	4
16		ELPCSCSPR16D4	4	4.0
20		ELPCSCSPR20DM4	4	5.0
20		ELPCSCSPR20D4	4	7.5
32		ELPCSCSPR32D4	4	11.0
40/50		ELPCSCSPR40/50D4	4	15.0
63		ELPCSCSPR63D4	4	22.0
80		ELPCSCSPR80D4	4	30.0
100		ELPCSCSPR100D4	4	37.0

Note: 'DM' indicates compact frame size

Open execution Changeover Switches - CSCSPR 10 ~ 100A (Rear / Din Rail Installation)



10, 16, 20A

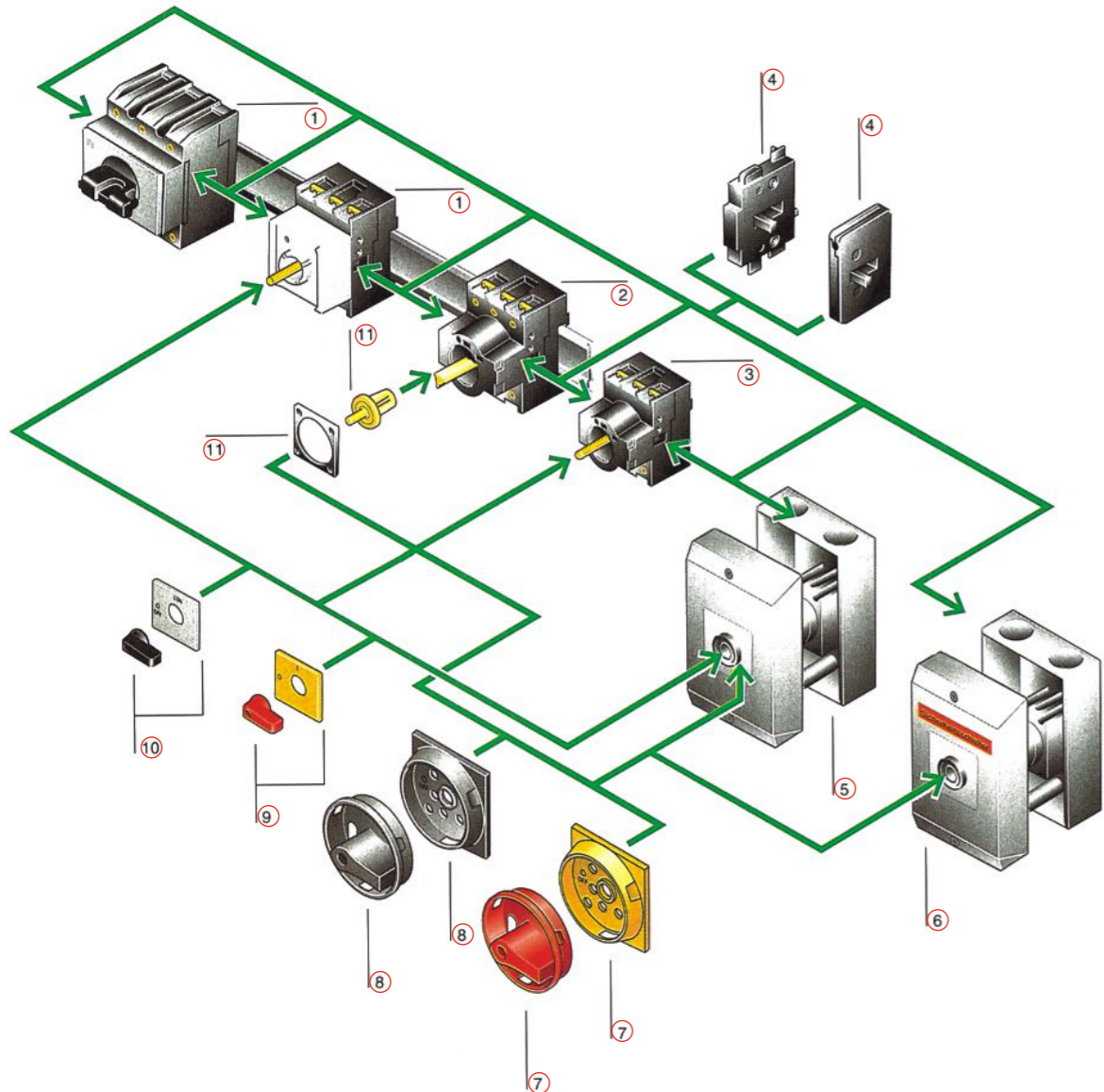


25, 32, 40A



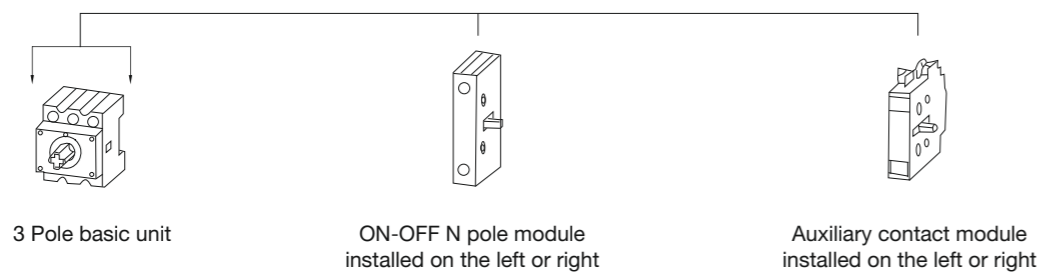
63, 80, 100A

Circuit Diagram	Rated continuous current Iu A	Reference	Pole no. of maincontact	Rated power of 3 ph. motor 50-60Hz	
				KW at 415V (AC23A)	
Main switch without auxiliary contact					
	10/16	CSCSPR10/16D3	3	4.0	
	20	CSCSPR20D3	3	5.5	
	25	CSCSPR25D3	3	7.5	
	32	CSCSPR32D3	3	11.0	
	40	CSCSPR40D3	3	15.0	
	63	CSCSPR63D3	3	22.0	
	80	CSCSPR80D3	3	30.0	
	100	CSCSPR100D3	3	37.0	
		10/16	CSCSPR10/16D4	4	4.0
		20	CSCSPR20D4	4	5.5
25		CSCSPR25D4	4	7.5	
32		CSCSPR32D4	4	11.0	
40		CSCSPR40D4	4	15.0	
63		CSCSPR63D4	4	22.0	
80		CSCSPR80D4	4	30.0	
100		CSCSPR100D4	4	37.0	



- ① Installation in distribution cabinet
- ② Rear/Din Rail installation
- ③ Parallel and level installation
- ④ Additive module N pole module + auxiliary contact module CSB
- ⑤ Surface installation type switch
- ⑥ Safety switch
- ⑦ Main switch with emergency-stop function
- ⑧ Main switch
- ⑨ Knob type handle for emergency stop
- ⑩ Knob handle
- ⑪ Extension Shaft

Modularized structure, additive function include



Description	For Switch Type	Switch Rating (Amp.)	Reference when ordering separately
Rotary handle			
With red handle and yellow locking ring, it can be equipped with padlock in the position 0.	ON-OFF Switches with Enclosure -CSSDPR 10 ~ 100A (Surface Installation)	10,16, 20	CSPH20*
	ON-OFF Switches - CSSDP 10 ~ 100A (Parallel and Level Installation)	20, 25, 32	CSPH32*
	ON-OFF Switches - CSSDPR 10 ~ 100A (Rear / Din Rail Installation)	32, 40, 50, 63	CSPH63*
		63, 80, 100	CSPH100*

Replace * with 'B' in case of black handle and black locking ring. For example CSPH20-B.

Knob type handle			
With Black Knob type handle	Changeover Switches with Enclosure - CSCSPR 10 ~ 100A (Surface Installation)	10,16, 20	CSPH20
	Open execution Changeover Switches - CSCSPR 10 ~ 100A (Rear / Din Rail Installation)	20, 25, 32	CSPH32
		40, 50, 63	CSPH63
	80, 100	CSPH100	

Neutral Block



For Switch Type	Switch Rating (Amp.)	Reference when ordering separately
ON-OFF Switches with Enclosure - CSSDPR 10~100A (Surface Installation)	32, 40, 50	CSPB-N32
ON-OFF Switches - CSSDP 10~100A (Parallel and Level Installation)	63, 80, 100	CSPB-N100
ON-OFF Switches - CSSDPR 10~100A (Rear / Din Rail Installation)		

Auxiliary Contact Block



For Switch Type	Switch Rating (Amp.)	Reference when ordering separately
ON-OFF Switches with Enclosure -CSSDPR 10~100A (Surface Installation)	10,16, 20 25, 32	CSB-32-11
ON-OFF Switches - CSSDP 10~100A (Parallel and Level Installation)	40, 50, 63	CSB-63-11
ON-OFF Switches-CSSDPR 10~100A (Rear / Din Rail Installation)	80, 100	CSB-100-11

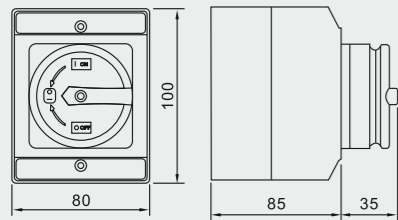
Note:

- N pole module and Auxiliary contact module are installed on the left or right of 3-pole load isolation switch CSSDPR. In ELPCCSDPR20/25D3 it is installed only on the left.
- In Auxiliary Contact II indicates 1 NO+1NC.

Enclosed ON-OFF Switches with IP65 Protection- CSSDPR 10 ~ 100A (Surface Installation)

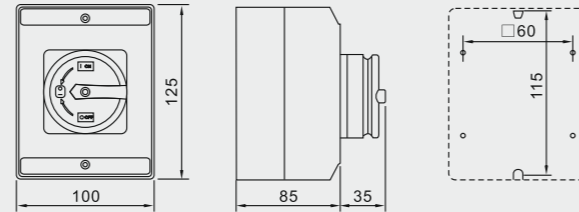
ELPCSSDPR10/16D3/D4
ELPCSSDPR20DM3/DM4

Hole size



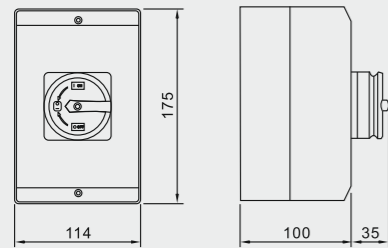
ELPCSSDPR20/25D3/D4
ELPCSSDPR32DM3/DM4

Hole size



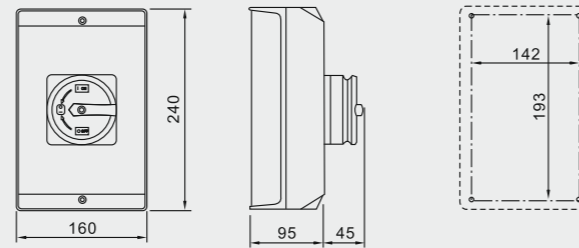
ELPCSSDPR32/40/50D3/D4
ELPCSSDPR63DM3/DM4

Hole size



ELPCSSDPR63/80/100D3/D4

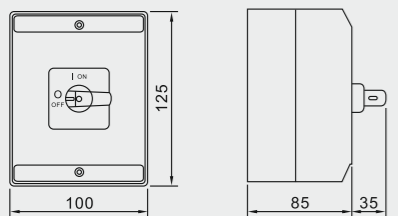
Hole size



Enclosed Changeover Switches with IP65 Protection - CSCSPR 10 ~ 100A (Surface Installation)

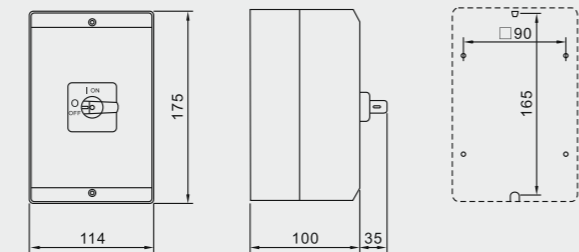
ELPCSCSPR10/16D3/D4
ELPCSCSPR20/DM3/DM4

Hole size



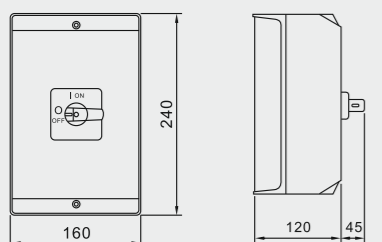
ELPCSCSPR20/32/40D3/D4

Hole size



ELPCSCSPRD63/80/100D3/D4

Hole size



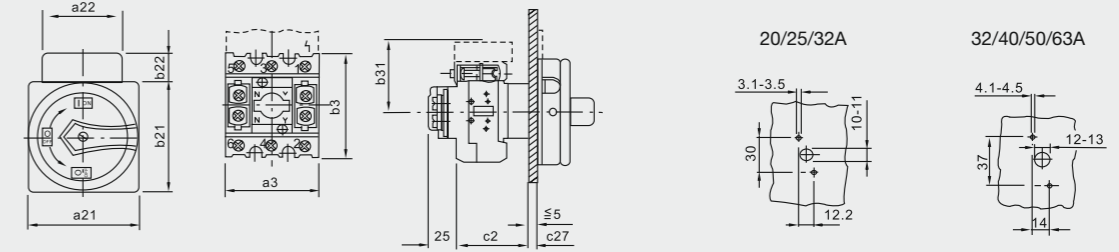
Open execution ON-OFF Switches - CSSDP 10 ~ 100A (Parallel and Level Installation)

CSSDP10/16D3/D4
CSSDP20DM3/DM4
CSSDP20/25D3/D4

CSSDP32DM3/DM4
CSSDP32/40/50D3/D4
CSSDP63DM3/DM4

CSSDP63/80/100D3/D4

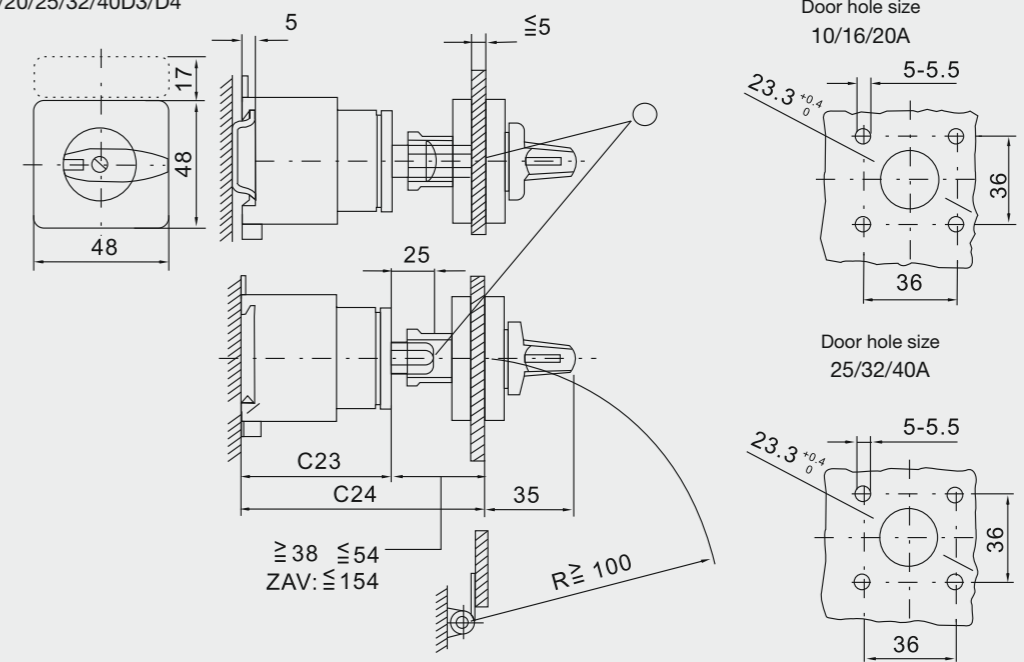
Hole size



Reference	a3	a21	a22	b3	b21	b22	c2
CSSDP10/16D3/D4 CSSDP20DM3/DM4	45	67	48	45	67	17	50
CSSDP20/25D3/D4 CSSDP32DM3/DM4	37	67	48	70	67	17	63
CSSDP32/40/50D3/D4 CSSDP63DM3/DM4	50	67	48	73	67	17	65
CSSDP63/80/100D3/D4	72	88	87	83	88	27	59

Open execution Changeover Switches - CSCSPR 10 ~ 100A (Rear / Din Rail Installation)

CSCSPR10/16/20/25/32/40D3/D4



Reference	C23	C24 ≥ / ≤	C24 ≤ 4ZAV
CSCSPR10/16/20D3/D4	51	86-105	205
CSCSPR25/32/40D3/D4	74	112-128	228

Note: All dimensions are in mm.